



IPC Integrated Professional Cleaning

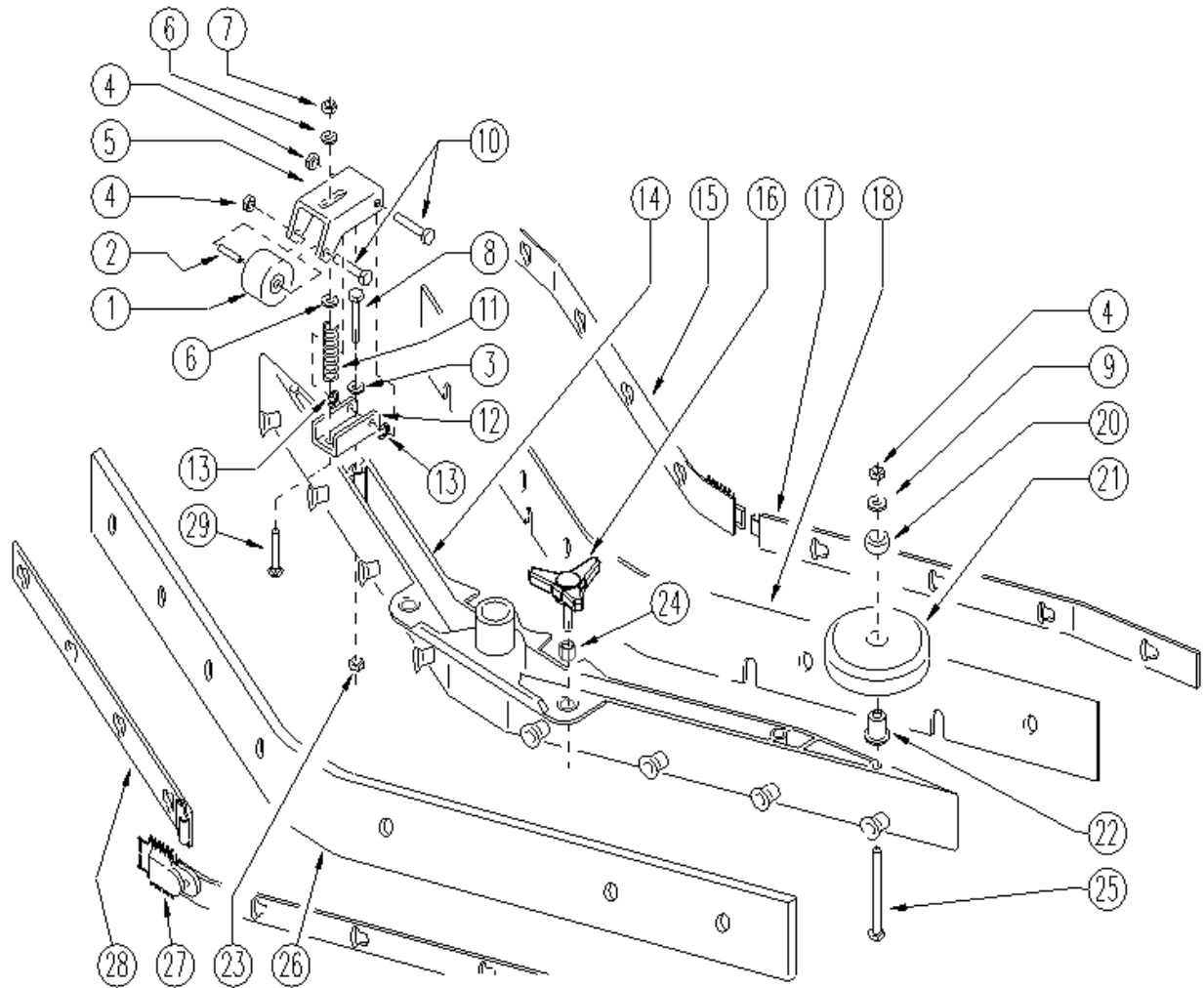
**IPC**Gansow

## **Spare Parts List**

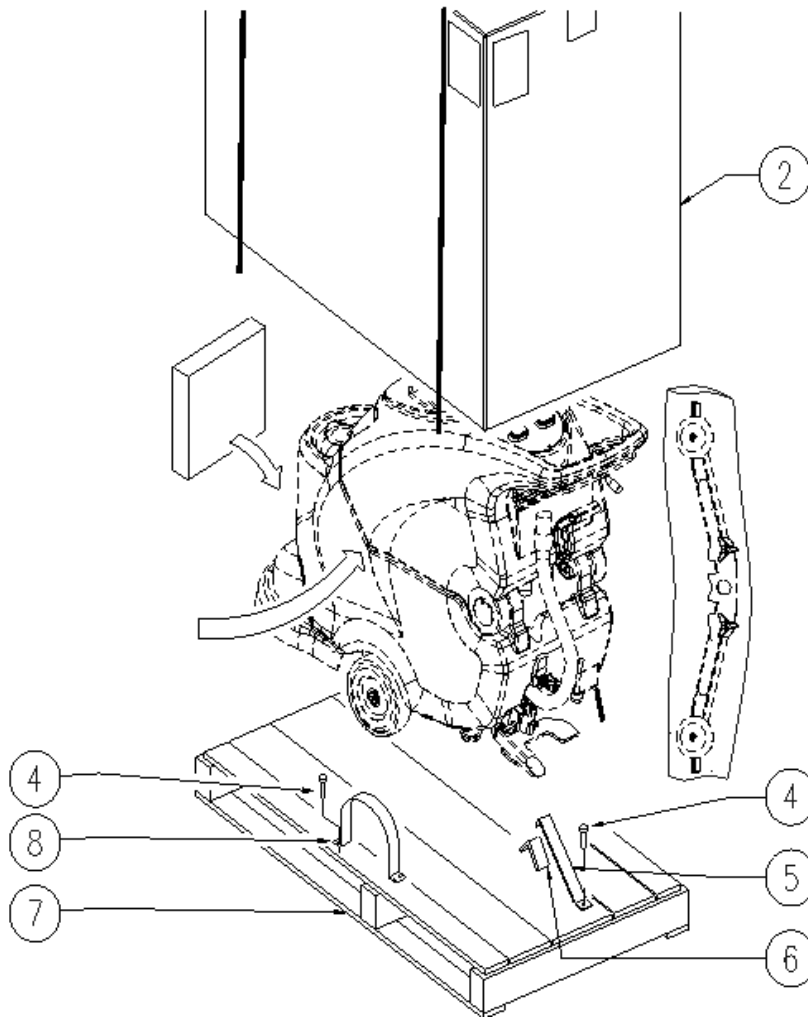
**TAVERNARO AG**

**Ref: LPTE00464**

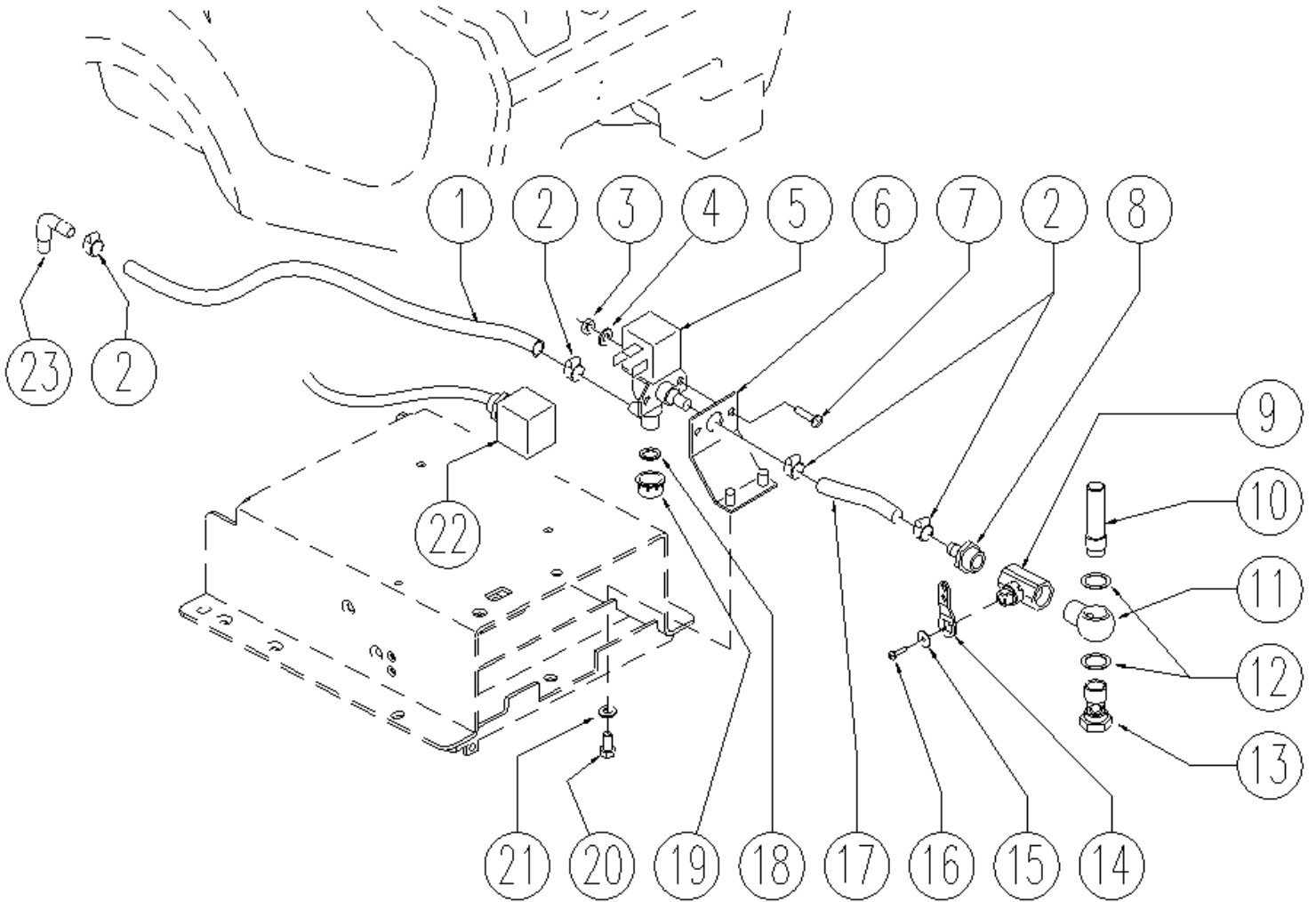
**Model: LAVASCIUGA CT70 C 50**



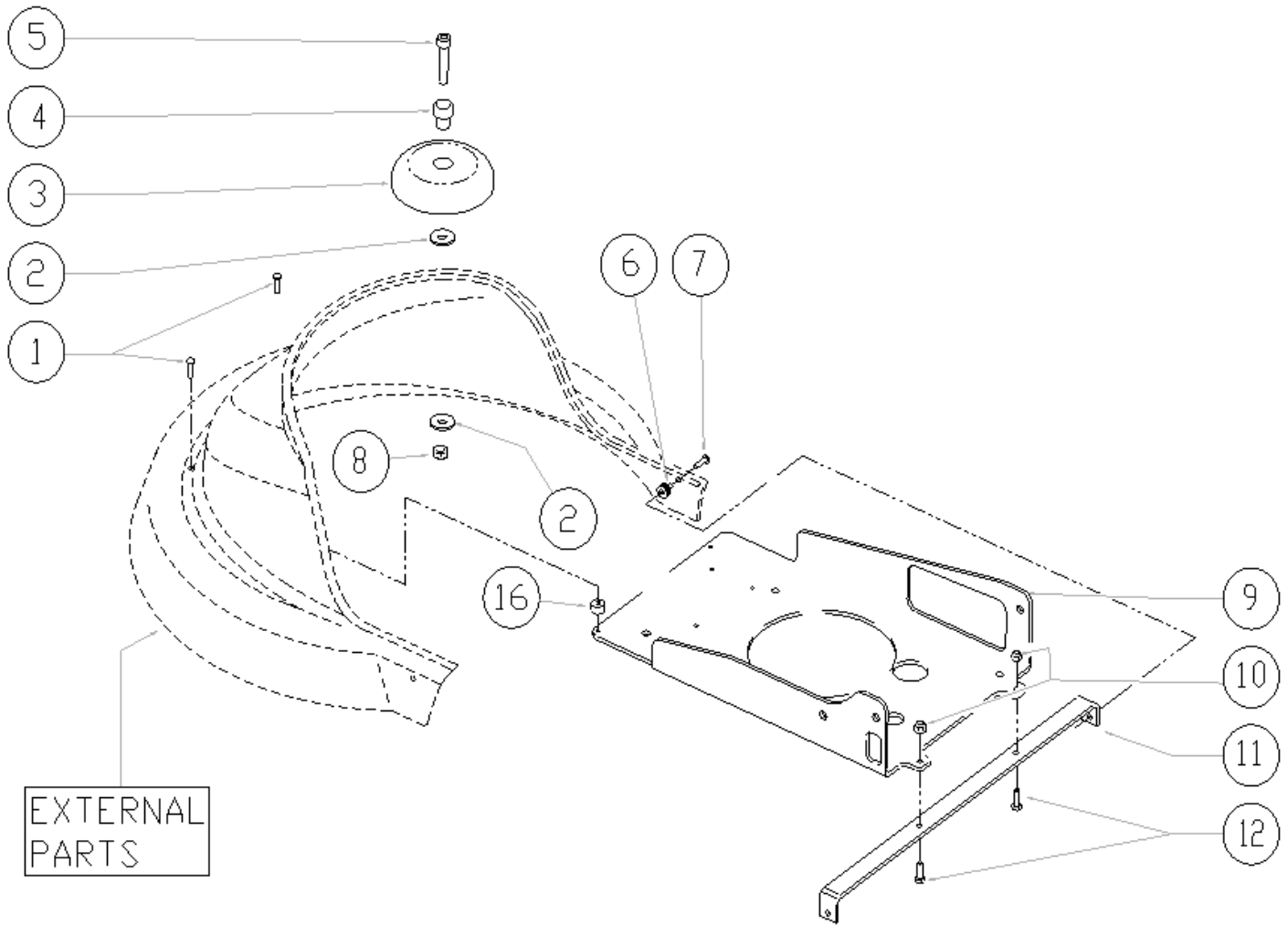
Ref. K	Part N.	Customer Part N.	Description	Qty	Validity: From	To	Price
0001	RTRT49413		WHEEL D. 60-D.15 X36 NYL.	2,00	03/2004		--
0002	LAFN04041		SPACER D6/15	2,00	03/2004		--
0003	VTRS00245		WASHER D.6 UNI 6592 INOX	12,00	03/2004	05/2006	--
0003	VTRS15144		WASHER D. 6 INX GRW UNI 1751	4,00	05/2006		--
0004	VTDD01694		NUT M 6 INX	4,00	03/2004		--
0005	LAFN05559		SUPPORT RUOTINO	2,00	03/2004		--
0006	VTRS13947		WASHER D. 8 INX UNI 6592	4,00	03/2004		--
0007	VTDD01695		NUT M 8 INX	2,00			--
0008	VTVT15142		SCREW TE M 6x45 INOX	2,00	03/2004		--
0010	VTVT15143		SCREW TE 6X16 UNI5739	4,00	03/2004	05/2006	--
0010	VTVT15515		SCREW TE M 6X 50 INOX A2	4,00	05/2006		--
0011	MLML49422		SPRING D.15X 45 X1	2,00			--
0012	LAFN51069		BRACKET SUPP.RUOTINO SQUEEGEE	2,00			--
0013	VTAE45707		CIRCLIP D. 6 UNI 7434 INOX	4,00			--
0014	MFVR00141		BODY SQUEEGEE PRESSOFUSO "S"	1,00	03/2004		--
0015	LAFN51045		LAMINATION BLOCCA LAMA ANTER.SX S	1,00	03/2004		--
0016	MPVR04164		HANDWHEEL M8 FILETTO PASSANTE	2,00	03/2004	06/2007	--
0016	MPVR05265		KNOB 8X25	2,00	06/2007		--
0017	LAFN51044		LAMINATION BLOCCA LAMA ANTER.DX S	1,00	03/2004		--
0018	MPVR45194		RUBBER BLADE LAV. 800 ANT.	1,00	03/2004		--
0019	VTVT00655		SCREW TE M. 6-55	2,00			--
0020	MPVR49229		BUSHING SHK	2,00	03/2004		--
0021	MPVR05290		ROLLER PARACOLPI	2,00	04/2008		--
0021	RTRT43370		CASTER D.100 2V.	2,00	03/2004	04/2008	--
0022	LAFN04100		SPACER PER RUOTINO PARACOLPI	2,00	03/2004		--
0023	VTDD15520		NUT M 6 A2 UNI 5588 INX	4,00	03/2004		--
0024	VTAE00074		CIRCLIP D8	2,00	03/2004	06/2007	--
0024	VTVR00022		INSERT FILETTATO ESAGONALE M8	2,00	06/2007		--
0025	VTVT01050		SCREW TE M 8X30 INX UNI 5737	2,00	06/2004	06/2007	--
0026	MPVR45195		RUBBER BLADE LAV. 800 PST.POL.	1,00	03/2004		--
0027	LAFN49284		BLADE HOLDER POSTERIORE DX (S)	1,00	03/2004		--
0028	LAFN49285		BLADE HOLDER POSTERIORE SX (S)	1,00	03/2004		--
0029	VTVT01304		SCREW M 8X 40 TTQST UNI 5731	2,00	05/2006		--



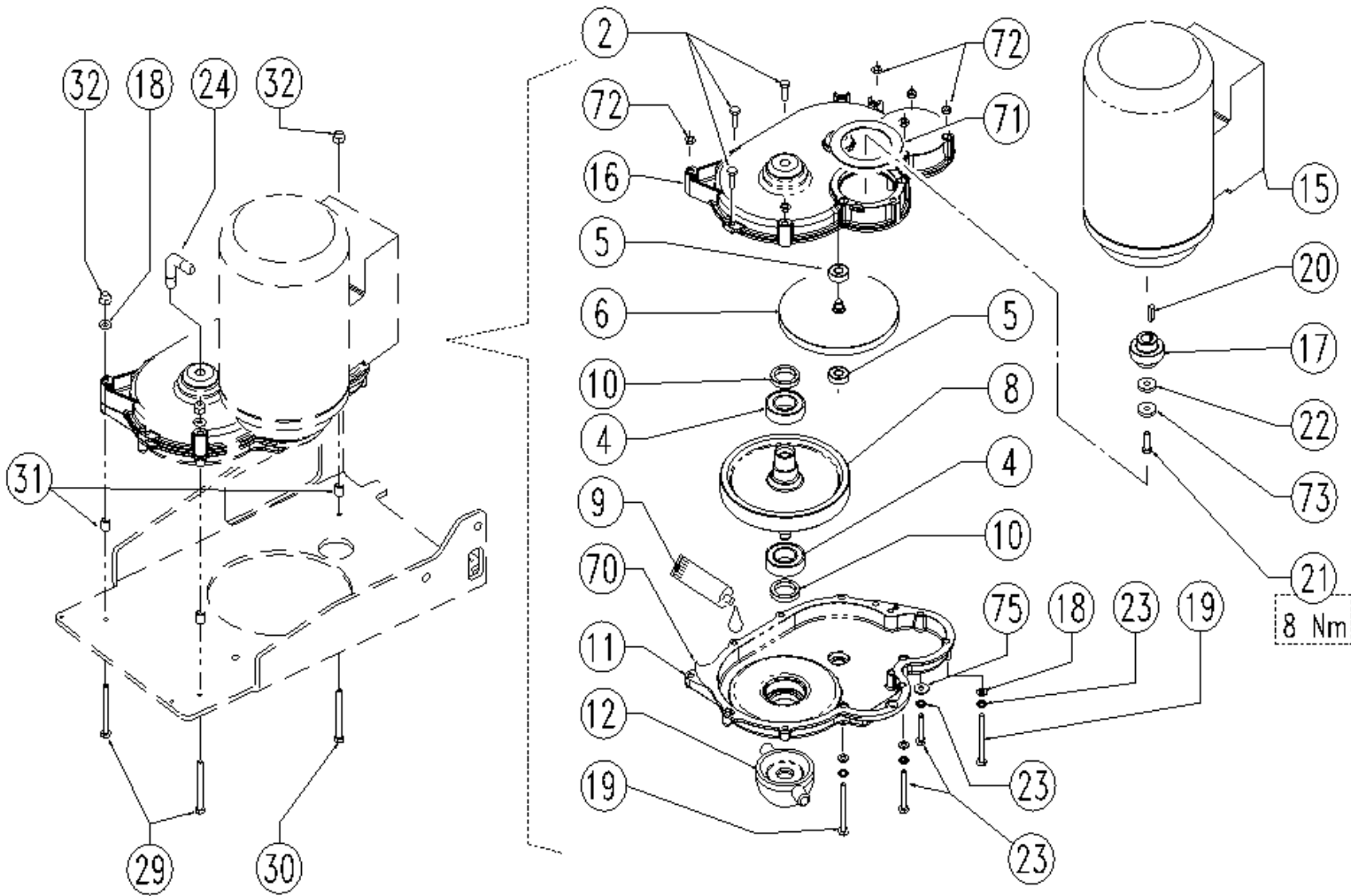
Ref. K	Part N.	Customer Part N.	Description	Qty	Validity:		Price
					From	To	
0002	MICT00147		CARTON IMBALLO RULLI	1,00			--
0004	VTVT00043		SCREW AUTOF.LEGNO 4,5X25 TS BR	9,00			--
0005	MIVR00137		CLAMP RUOTA POSTERIORE X IMBAL.	1,00			--
0006	GUGO00009		MOUSSE	0,05			--
0007	MIBA00077		PALLET RULLI	1,00			--
0008	MIVR00135		CLAMP RUOTA POSTERIORE X IMBAL.	2,00			--



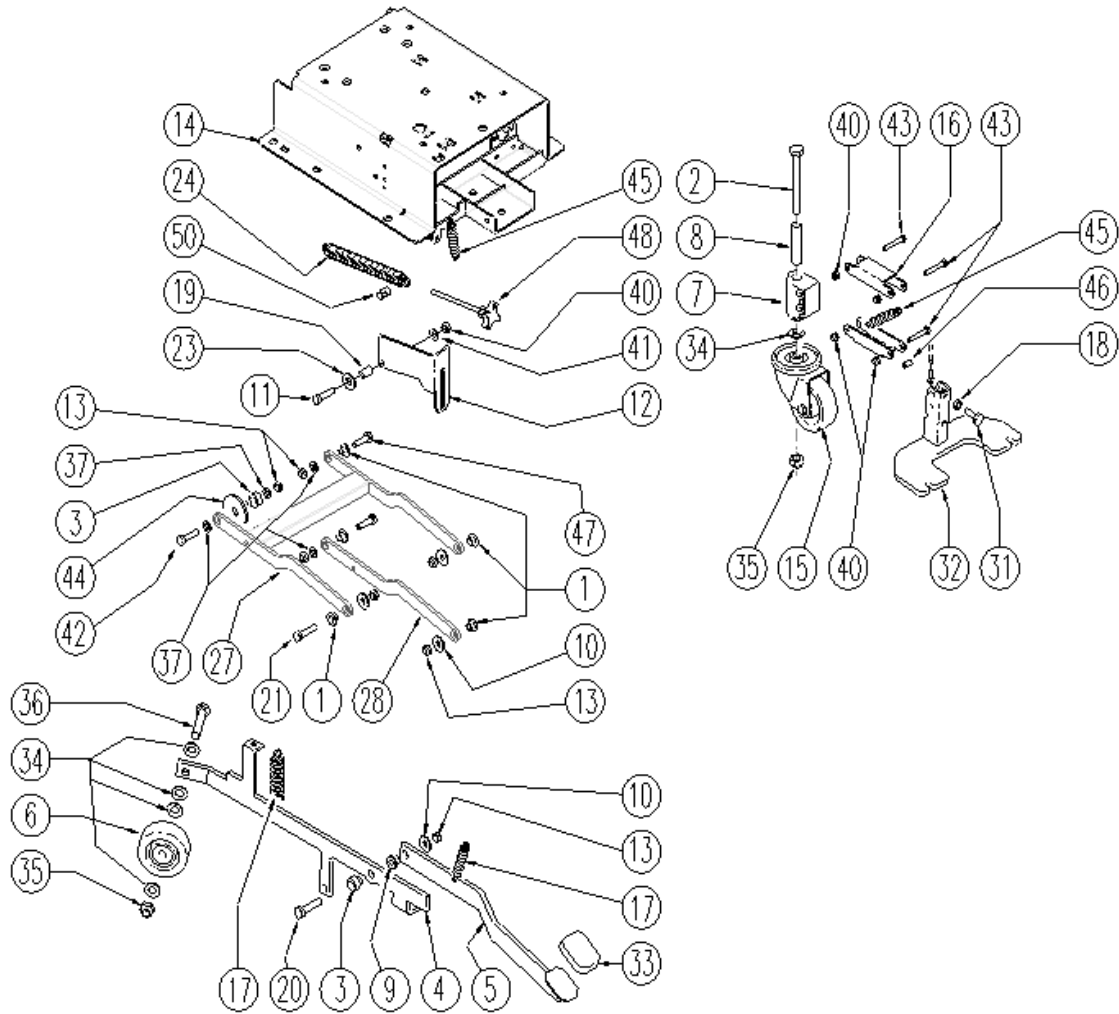
Ref.	K	Part N.	Customer Part N.	Description	Qty	Validity: From To	Price
0001		TBBP00354		TUBE ARMORVIN	1,00		--
0002		FSVR00096		CLAMP 10-16 INOX	4,00		--
0003		VTDD15925		NUT M 4 INX	2,00		--
0004		VTRS00515		WASHER D. 4 INX	2,00		--
0005		MEEV00019		SOLENOID VALVE	1,00		--
0006		LAFN51088		PLATE ELETTRORVALVOLA	1,00		--
0007		VTVT00704		SCREW TE M 4X 16 UNI5739 INOX	2,00		--
0008		RCVR00536		CONNECTOR PORTAG.	1,00		--
0009		RCGR00065		TAP F/F 1/2"	1,00		--
0010		FTAC00036		FILTER IN RETE	1,00		--
0011		RCDS49622		CONNECTOR OCC 1/2 - 1/2M	1,00		--
0012		GUVR00213		WASHER GOMMA	2,00		--
0013		RCDS49623		SCREW G 1/2 L=41.5	1,00		--
0014		LAFN05902		LEVER RUBINETTO	1,00		--
0015		VTRS00251		WASHER 4-16 INOX A2	1,00		--
0016		VTVT00633		SCREW M 3X 20 TCB-TC BK.U.7687	1,00		--
0017		TBFX49101		TUBE FLEX D.34 CPL.SHK	1,00		--
0018		GUGO00268		GASKET D.21 SP.3 GOMMA	1,00		--
0019		RCVR00353		CAP 1/2"G X ELETTROV. ACL	1,00		--
0020		VTVT00817		SCREW TE M4x12 UNI 5739 INOX	2,00		--
0021		VTRS15913		WASHER D. 4 GROVER A2 UNI1751	2,00		--
0022		MECB00917		WIRING PEDALE ACCEL.P160	1,00		--
0023		RCVR00543		CONNECTOR A GOMITO	1,00		--



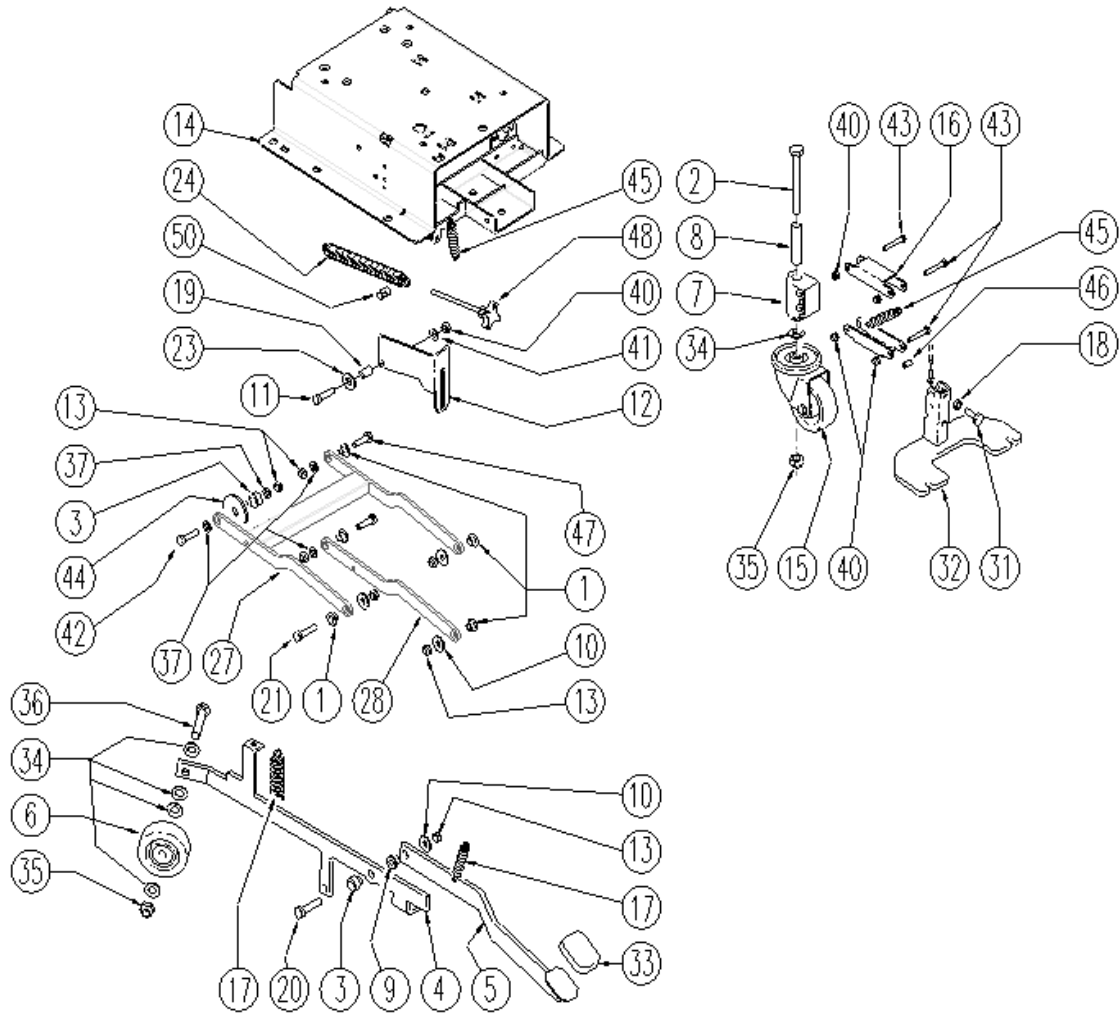
Ref. K	Part N.	Customer Part N.	Description	Qty	Validity:		Price
					From	To	
0001	VTVT01365		SCREW M4X20	2,00			--
0002	VTRS13946		WASHER D. 8 X24 INX UNI 6593	2,00			--
0003	RTRT43370		CASTER D.100 2V.	1,00		04/2008	--
0003	MPVR05290		ROLLER PARACOLPI	1,00	04/2008		--
0004	LAFN03915		BUSHING NUOVO RUOTINO STRONG	1,00			--
0005	VTVT17349		SCREW TCEI M 8X30	1,00			--
0006	MEVR01281		SPACER	2,00			--
0007	VTVT01366		SCREW M4X16	2,00			--
0008	VTDD01695		NUT M 8 INX	1,00			--
0009	LAFN05854		PLATE SOSTEGNO RIDUTTORE	1,00			--
0010	VTDD15518		NUT M 6 INX	2,00			--
0011	LAFN05899		SUPPORT BRACKET CARTER 1 EXTREME	1,00			--
0012	VTVT15143		SCREW TE 6X16 UNI5739	2,00			--
0016	LAFN04039		THICKNESS	1,00			--



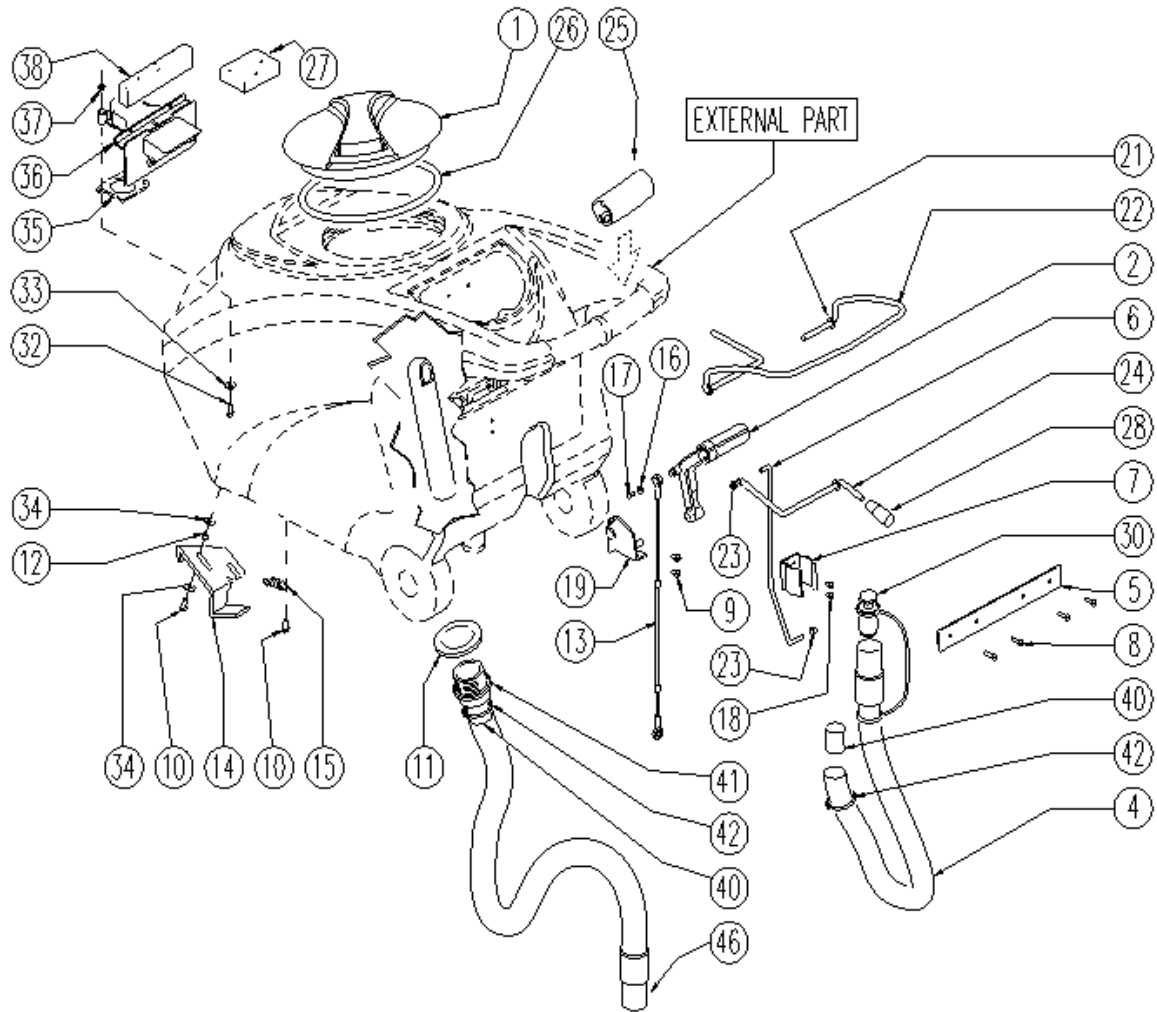
Ref.	K	Part N.	Customer Part N.	Description	Qty	Validity:		Price
						From	To	
0000		CNPR00387		LUBRICATING OILGRASSO GREASE SLL/00 SE	1,00			--
0002		VTVT01315		SCREW AUTOF.TCC M6-16 DIN 7516	4,00			--
0004		CUVR74239		BEARING 6005 X TERSY 45 C	2,00			--
0005		CUVR00131		BEARING 9X24X7	2,00			--
0006		PMVR00872		GEAR 1 RIDUZ.(CAVO)	1,00			--
0008		PMVR01210		CARRYNG BAG	1,00	11/2005	05/2006	--
0008		PMVR00870		ASSEMBLED INGRANAGGIO 2 RIDUZIONE	1,00			--
0008		PMVR00870		ASSEMBLED INGRANAGGIO 2 RIDUZIONE	1,00		11/2005	--
0009		CNPR00387		LUBRICATING OILGRASSO GREASE SLL/00 SE	0,25		05/2006	--
0009		CNPR00371		GASKET	1,00			--
0010		GUGO00277		OIL SEAL 25X35X7	2,00			--
0011		MFVR00137		BOX INFERIORE	1,00			--
0012		MFVR00134		DRIVE DISK SPAZZOLE	1,00			--
0015		MOMO00192		MOTOR	1,00			--
0016		MFVR00135		COVER SUPERIORE RIDUTTORE 450	1,00			--
0017		MTIG00095		PINION MOTORE	1,00			--
0018		VTRS00245		WASHER D.6 UNI 6592 INOX	3,00			--
0019		VTVT00841		SCREW TE M. 6-65	3,00			--
0020		VTVR13165		KEY 5X5X20	1,00			--
0021		VTVT17720		SCREW TCEI M 5X16 INOX	1,00			--
0022		LAFN04102		WASHER DIST.PER RIDUTTORE	1,00			--
0023		VTRS00246		WASHER D. 6	4,00			--
0024		RCVR00543		CONNECTOR A GOMITO	1,00			--
0029		VTVT00841		SCREW TE M. 6-65	3,00			--
0030		VTVT00859		SCREW TCEI M. 6-55 INOX	1,00			--
0031		LAFN04187		SPACER PER RIDUTTORE	3,00			--
0032		VTDD15518		NUT M 6 INX	3,00			--
0070		GUVR00214		GASKET P184 RIDUTTORE	1,00			--
0071		GUVR00215		GASKET P184 MOTORE	1,00			--
0072		VTDD01694		NUT M 6 INX	3,00			--
0073		VTRS13750		WASHER D. 5X14 INX	1,00			--
0074		VTVT15515		SCREW TE M 6X 50 INOX A2	4,00			--
0075		VTRS13945		WASHER D. 6X18 INX UNI 6593	1,00			--



Ref. K	Part N.	Customer Part N.	Description	Qty	Validity:		Price
					From	To	
0001	LAFN06391		BUSHING PARALLELOGRAMMA	5,00			--
0002	VTVT24212		SCREW TE M 12X100 UNI 5737 INOX	1,00			--
0003	LAFN04190		BUSHING PARALLELOGR.TEST.GR.	2,00			--
0004	LAFN06359		LEVER SOLLEVAMENTO	1,00			--
0005	LAFN06417		LEVER -	1,00			--
0006	RTRT49171		CASTER D. 80-12	1,00			--
0007	MPVR04734		BLOCK TERGI	1,00			--
0008	LAFN04188		PIN ROTAZIONE SQUEEGEE	1,00			--
0009	LAFN51068		BUSHING LEVA POSTER.	1,00			--
0010	VTRS13946		WASHER D. 8 X24 INX UNI 6593	4,00			--
0011	VTVT00161		SCREW TE M6X20	1,00			--
0012	LAFN10124		PLATE	1,00			--
0013	VTDD01695		NUT M 8 INX	7,00			--
0014	LAFN06354		BASE SERBATOIO	1,00			--
0015	RTRT00276		SMALL WHEEL GIREVOLE PER SPAZZANTE	1,00			--
0016	LAFN05853		LEVER ARM SOLLEVAMENTO TERGI	2,00			--
0017	MLML34726		SPRING TR E350 N	2,00			--
0018	VTDD15521		NUT M 8 INX A2 UNI 5588	1,00			--
0019	LAFN03840		BUSHING	1,00			--
0020	VTVT15917		SCREW TE M 8X50 INOX A2 UNI	1,00			--
0021	VTVT15907		SCREW TE 8X25 UNI5739 INX	3,00			--
0023	VTRS00274		WASHER NYLON 66 D.8,4-17-2 UNI	1,00			--
0024	MLML31130		SPRING D. 17.5 X110 N38	1,00			--
0026	VTDD15925		NUT M 4 INX	1,00			--
0027	LAFN06388		ARM TESTATA SUPERIORE	1,00			--
0028	LAFN06389		ARM PARALLELOGRAMMA	1,00			--
0031	VTVT00447		SCREW TE 8X25 UNI5739	1,00	07/2007		--
0031	VTVT00908		GRUB SCREW M.8-25 PIANO	1,00		07/2007	--
0032	LAFN06355		PLATE SQUEEGEE	1,00			--
0033	MPVR04139		RUBBER PEDALINO	1,00		10/2006	--
0033	MPVR05186		COVER -	1,00	10/2006		--
0034	VTRS00312		WASHER D.13 x24 INOX	5,00			--
0035	VTDD00176		NUT M.12 INOX A2 BASSO AUTOB.	2,00			--
0036	VTVT00836		SCREW TE M12-60 INOX	1,00			--
0037	VTRS13947		WASHER D. 8 INX UNI 6592	4,00			--
0040	VTDD01694		NUT M 6 INX	5,00			--
0041	VTRS00245		WASHER D.6 UNI 6592 INOX	1,00			--
0042	VTVT00410		SCREW TE M8x35 UNI5739 INOX	1,00			--
0043	VTVT15145		SCREW TE 6X40 UNI5739 INX	4,00			--

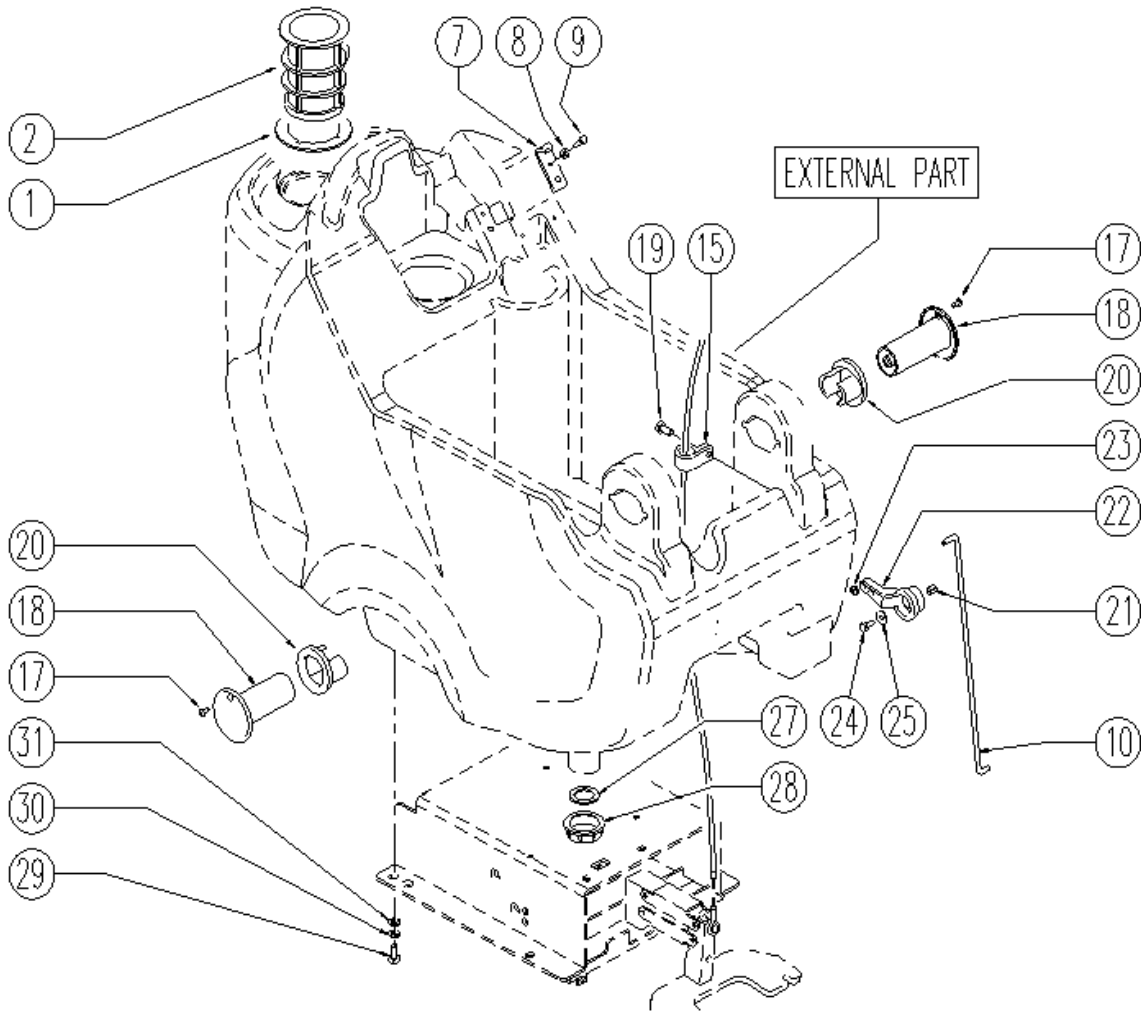


Ref.	K	Part N.	Customer Part N.	Description	Qty	Validity:		Price
						From	To	
0044		MPVR05134		GASKET D.60 FORO D.12 SP.2	1,00			--
0045		MLML00303		SPRING REGISTRAZIONE FLAP	2,00			--
0046		LAFN06898		SPACER 6,1-9 h25	1,00	06/2008		--
0046		LAFN03742		SPACER SILENZIATORE	1,00		06/2008	--
0047		VTVT13937		SCREW TE M 8X 30 INX UNI 5739	2,00			--
0048		VTVR35749		HANDWHEEL M 6MAX110 D.35	1,00			--
0050		LAFN35747		SPRING SUPPORT LAV. E/B 450	1,00			--

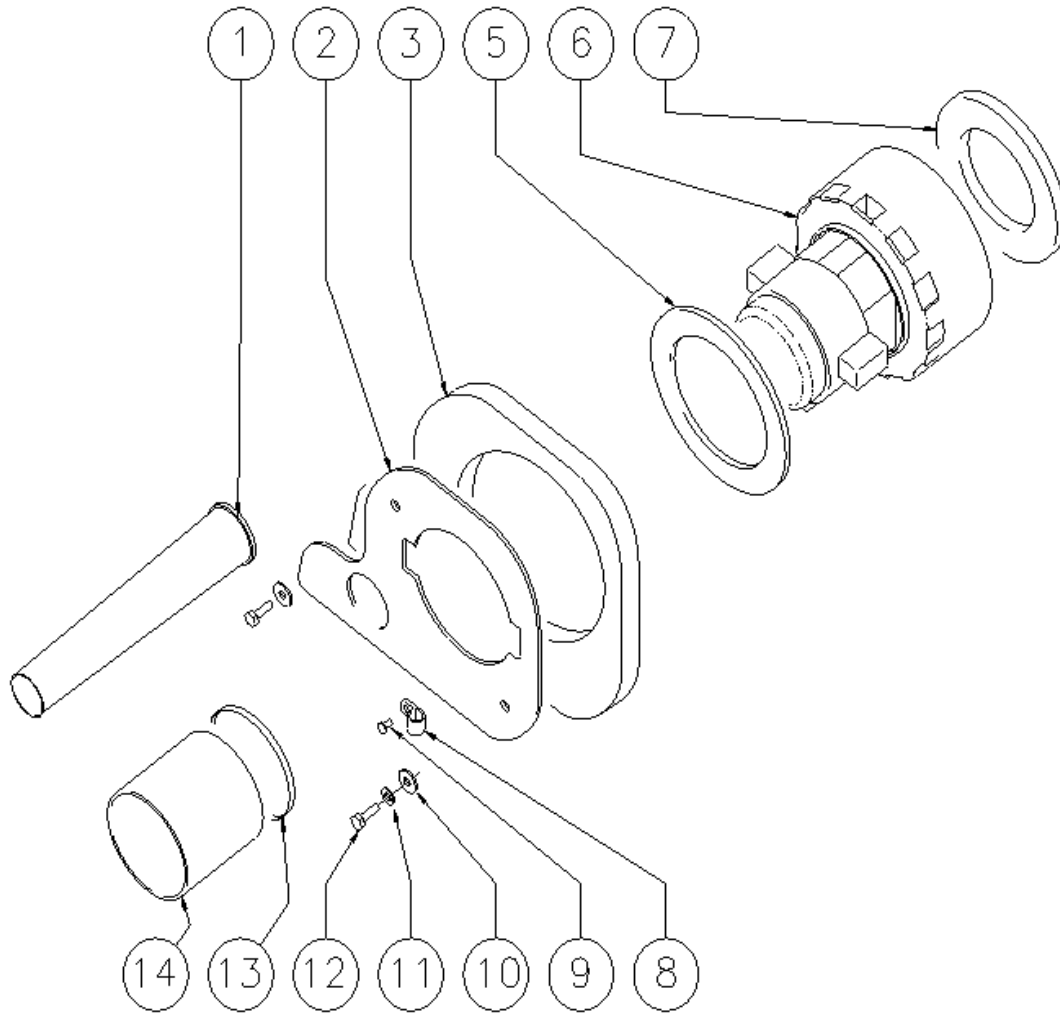


Ref. K	Part N.	Customer Part N.	Description	Qty	Validity: From To	Price
0001	MPVR04051		TANK CAP	1,00		--
0002	MPVR49942		LEVER SHK PP	1,00		--
0004	TBBP00428		TUBE SCARICO	1,00		--
0005	LAFN05865		PLATE COPRILEVA CONSENSO	1,00		--
0006	LAFN05863		ROD RUBINETTO	1,00		--
0007	MPVR46988		CLIP LAV. SHK	1,00		--
0008	VTVT07726		SCREW TE 5X20	4,00		--
0009	VTVT15906		SCREW TE 6X 12 A2 UNI 5739	2,00		--
0010	VTVT15143		SCREW TE 6X16 UNI5739	3,00		--
0011	GUGO00216		GASKET ACQUA SPORCA	1,00		--
0012	LAFN03626		SPACER	2,00		--
0013	CMCV00428		CABLE SQUEEGEE	1,00		--
0014	LAFN06849		HANDLE CT 70	1,00		--
0015	MLML00203		SPRING	1,00		--
0016	VTRS00251		WASHER 4-16 INOX A2	1,00		--
0017	VTVT00800		SCREW TC 4X12 ZN	1,00		--
0018	VTVT21096		SCREW TE M 4X 10 INX	2,00		--
0019	LAFN05870		BRACKET LEVA SOLLEVAM. SQUEEGEE	1,00		--
0020	PMVR02012		GROUP TUBO TUBO INT. P197	1,00		--
0021	VTRS13947		WASHER D. 8 INX UNI 6592	2,00		--
0022	LAFN05861		LEVER CONSENSO SPAZZOLE	1,00		--
0023	VTDD01694		NUT M 6 INX	2,00		--
0024	LAFN05908		ROD COMANDO RUBINETTO	1,00		--
0025	MPVR05215		KNOB -	2,00		--
0026	GUGO00263		GASKET CIRCOLARE TAPPO	1,00		--
0027	FTDP00133		FILTER ASPIRAZIONE ALLUNG.	1,00		--
0028	MPVR04146		KNOB IN PVC MOD. 1001 FORO D.6	1,00		--
0029	MPVR04716		RING NUT 1"1/2	1,00		--
0030	MPVR05064		CAP COMPLETO	1,00		--
0032	VTVT01139		SCREW TE M.4-25	2,00		--
0033	VTRS00515		WASHER D. 4 INX	2,00		--
0034	VTRS00274		WASHER NYLON 66 D.8,4-17-2 UNI	4,00		--
0035	GUGO00417		GASKET SCATOLA ASPIRAZIONE	1,00		--
0036	FTDP00185		BOX ASPIRAZIONE	1,00		--
0037	VTDD15925		NUT M 4 INX	2,00		--
0038	GUGO00418		GASKET CONDOTTO ASPIRAZIONE	1,00		--
0040	GUGO00245		GASKET	1,00		--
0041	RCVR00586		CONNECTOR 1/4	1,00		--
0042	FSVR43136		CLAMP D. 35-40 DF.	2,00		--

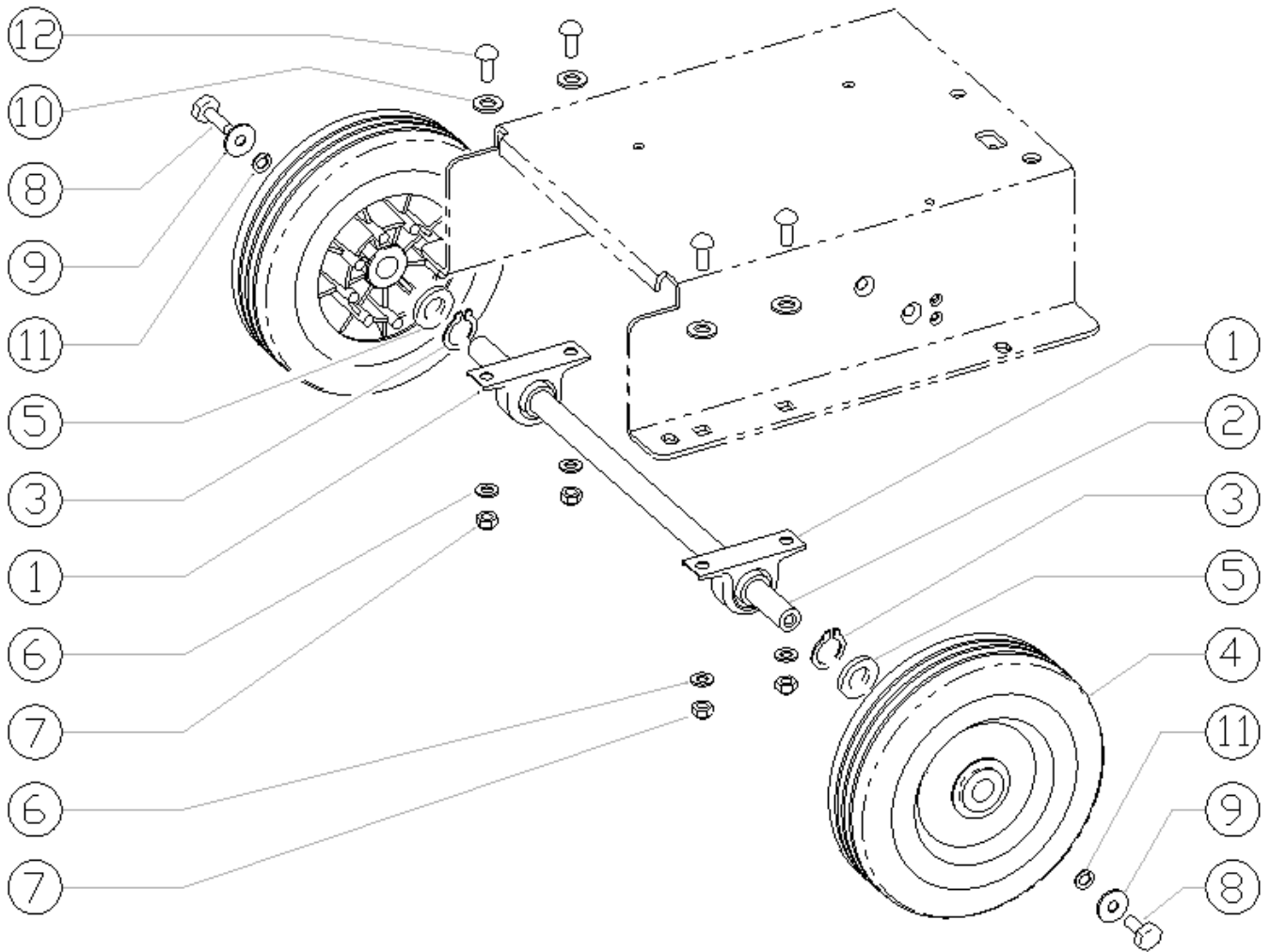




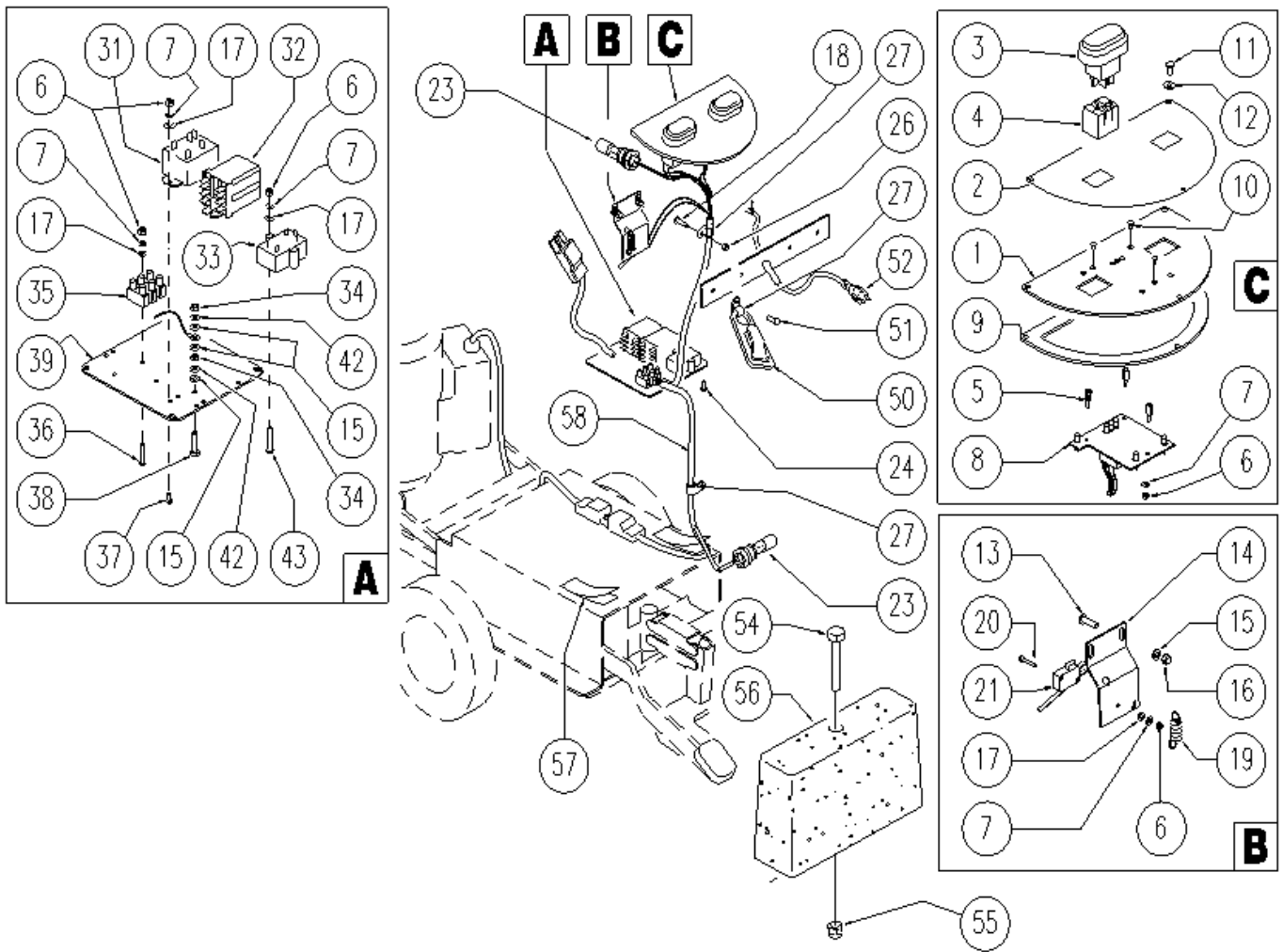
Ref. K	Part N.	Customer Part N.	Description	Qty	Validity:		Price
					From	To	
0001	GUGO00267		GASKET FILTRO	1,00			--
0002	FTAC00040		FILTER -	1,00			--
0007	LAFN06489		PLATE	1,00			--
0008	VTRS15144		WASHER D. 6 INX GRW UNI 1751	1,00			--
0009	VTVT01303		SCREW TE M6-10 INOX	1,00			--
0010	LAFN05862		ROD RUBINETTO	1,00			--
0015	MPVR02933		DUCT LOCK D.9,5	2,00			--
0017	VTVT48694		SCREW TCB TC 5 X12 UNI 9707 TZ	2,00			--
0018	MPVR48695		PIN SHK.BK	2,00			--
0019	VTVT15961		SCREW M 5X 16 TCB TC UNI 7687	1,00			--
0020	PMVR02028		RUBBER GRUPPO MONTAGGIO	2,00			--
0021	VTVR48693		INSERT M6 D.9	1,00			--
0022	MPVR49471		LEVER SHK	1,00			--
0024	VTVT15143		SCREW TE 6X16 UNI5739	1,00			--
0025	VTRS13945		WASHER D. 6X18 INX UNI 6593	1,00			--
0027	GUGO00416		GASKET TAPPO SCARICO SERB.	1,00			--
0028	MPVR04931		CAP SCARICO	1,00			--
0029	VTVT15916		SCREW TE M 8X 16 UNI 5739 A2	4,00			--
0030	VTRS00269		WASHER D. 8 DIN 6798-A INX A2	4,00			--
0031	VTRS13947		WASHER D. 8 INX UNI 6592	4,00			--



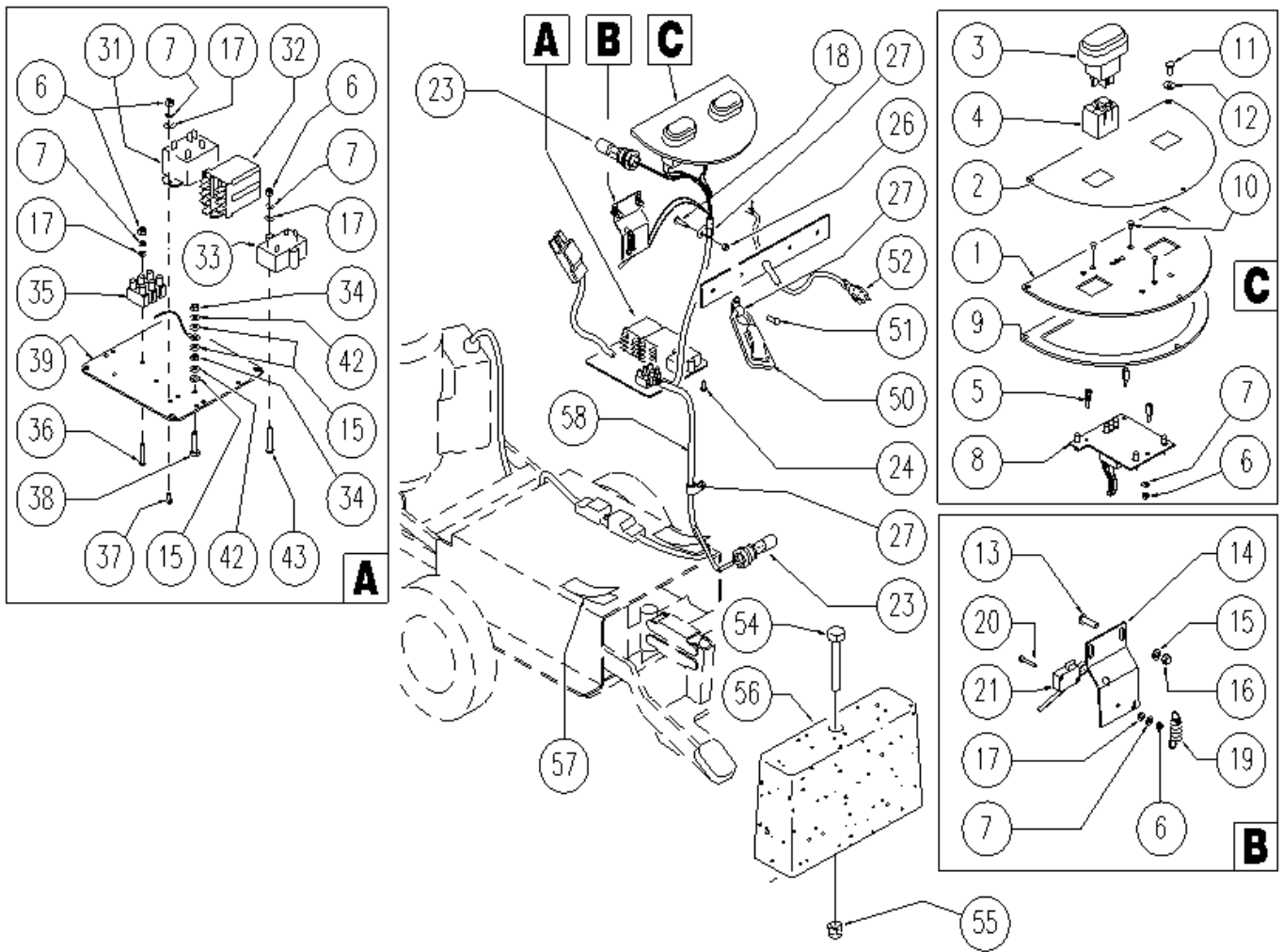
Ref.	K	Part N.	Customer Part N.	Description	Qty	Validity:		Price
						From	To	
0001		MPVR05259		TUBE SCARICO	1,00	06/2007		--
0001		TBFX00244		TUBE D 34 L200MM	1,00		06/2007	--
0002		LAFN06363		FLANGE ASPIRATORE	1,00			--
0003		MPVR05103		SOUND-PROOFING ASPIRATORE	1,00			--
0004		MPVR31077		BUSHING L.450	1,00		06/2007	--
0005		MPVR04724		FLANGE IN NYLON	1,00			--
0006		MOMO00214		VACUUM CLEANER TRIS.240V/50HZ MOD.115961	1,00			--
0007		GUGO00272		GASKET	1,00			--
0008		FSVR00099		CLAMP FERMATUBO	1,00			--
0009		VTVT00813		SCREW M 4X 8 TCB-TC UNI 8112	1,00			--
0010		VTRS13945		WASHER D. 6X18 INX UNI 6593	2,00			--
0011		VTRS15144		WASHER D. 6 INX GRW UNI 1751	2,00			--
0012		VTVT15143		SCREW TE 6X16 UNI5739	2,00			--
0013		FSVR00118		CLAMP D.94	1,00	05/2007		--
0013		FSVR00500		CLAMP 80-100 INOX	1,00		04/2007	--
0014		TBFX00268		SUCTION HOSE D80 L=80MM	1,00		04/2007	--
0014		TBFX00312		TUBE ASPIRAZIONE	1,00	05/2007		--



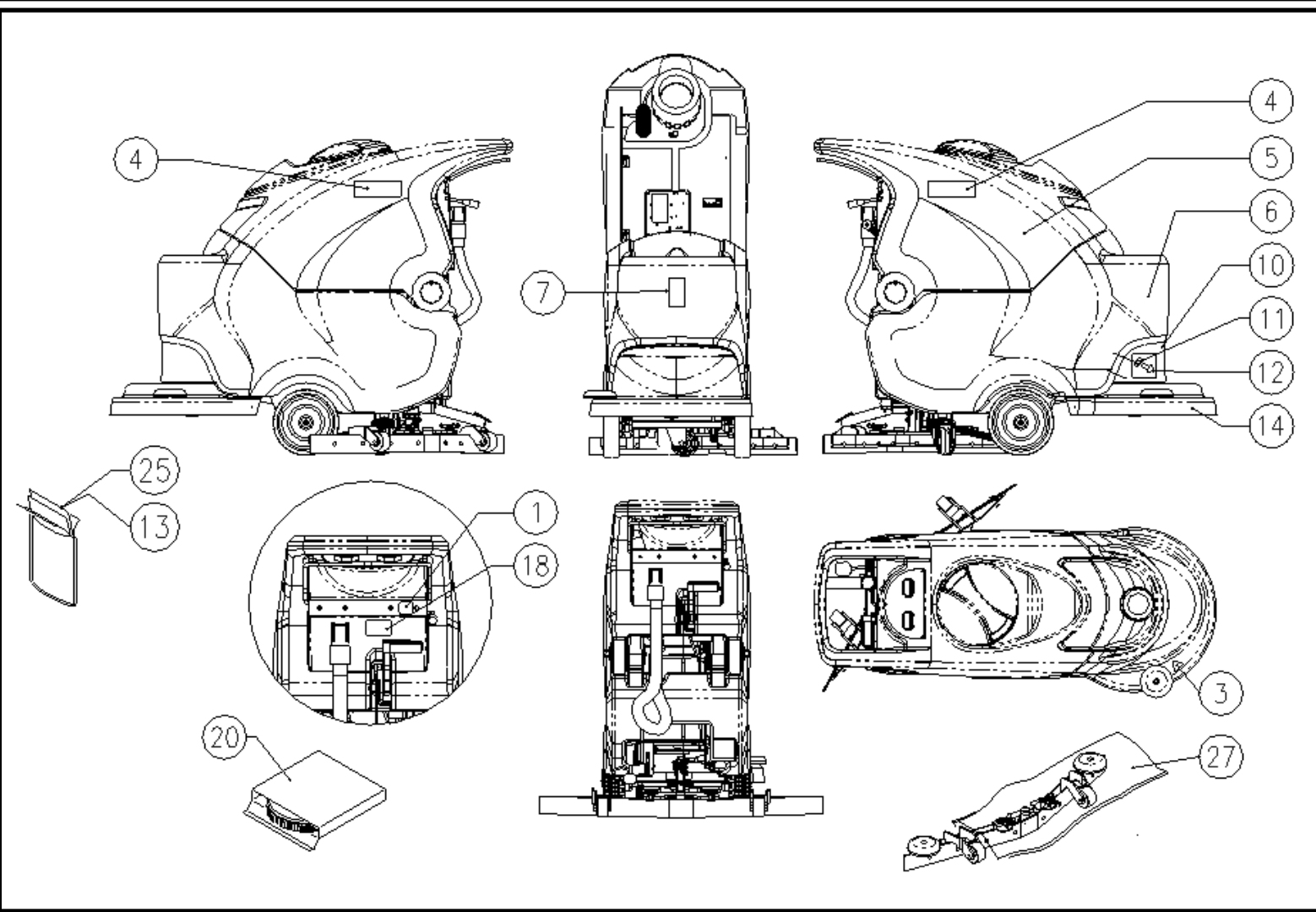
Ref. K	Part N.	Customer Part N.	Description	Qty	Validity:		Price
					From	To	
0001	CUVR49833		BALL BEARING SBPP 203	2,00			--
0002	ALTR00075		SHAFT	1,00			--
0003	VTAE00065		RING D17 UNI7435 INOX	2,00			--
0004	RTRT00366		WHEEL D200 X CLT 40	2,00			--
0005	VTRS21763		WASHER D.17	2,00			--
0006	VTRS13947		WASHER D. 8 INX UNI 6592	4,00			--
0007	VTDD01695		NUT M 8 INX	4,00			--
0008	VTVT15916		SCREW TE M 8X 16 UNI 5739 A2	2,00			--
0009	VTRS13946		WASHER D. 8 X24 INX UNI 6593	2,00			--
0010	VTRS15978		WASHER D.12X24 UNI 6592 INX	4,00			--
0011	VTRS15146		WASHER D. 8 INX GRW UNI 1751	2,00			--
0012	VTVT00842		SCREW	4,00			--



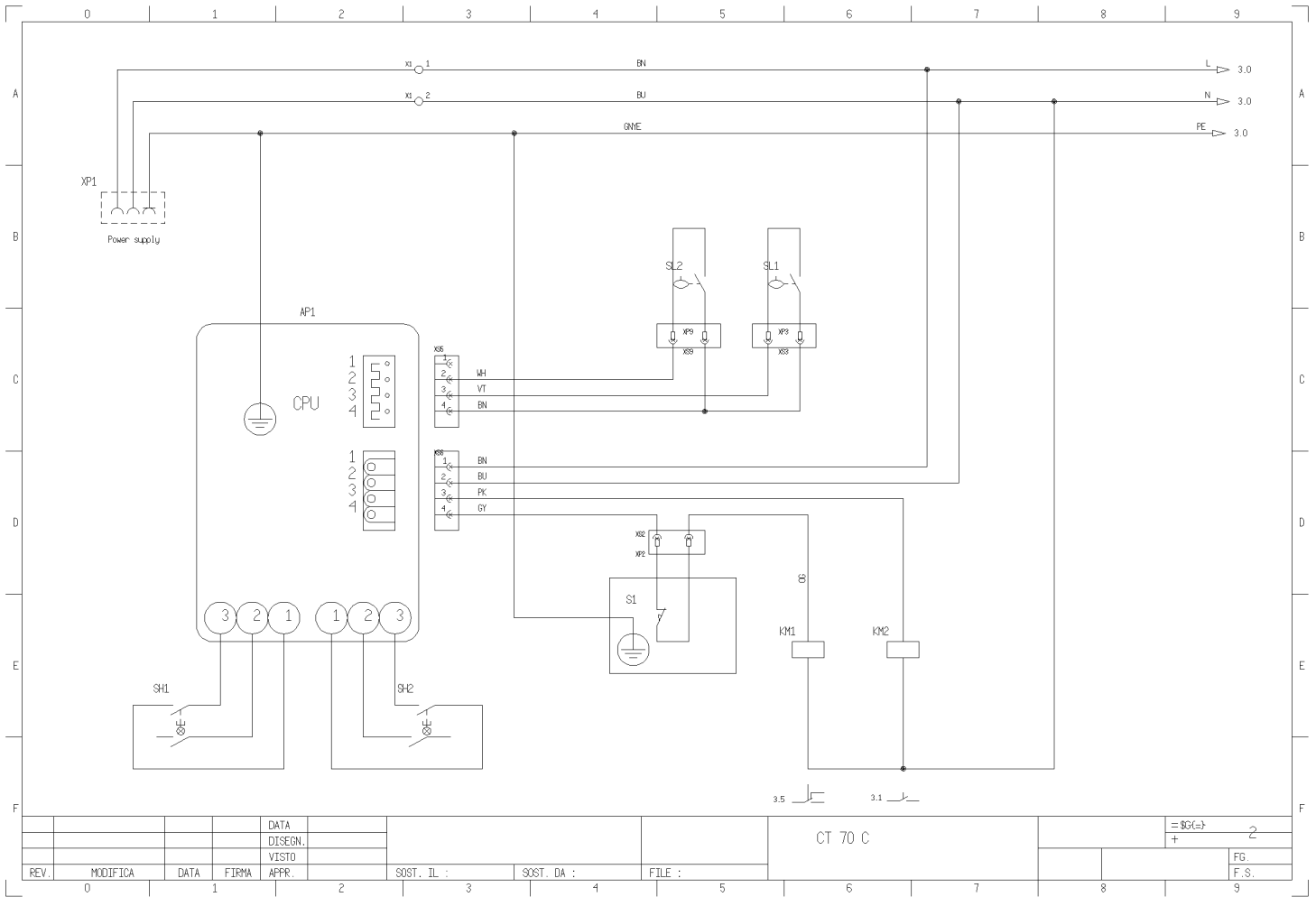
Ref.	K	Part N.	Customer Part N.	Description	Qty	Validity:		Price
						From	To	
0001		LAFN06488		SHEET METAL PA.PANNELLO COMANDI	1,00			--
0002		ETET01379		LABEL CLT 40 230V	1,00			--
0003		MECI00383		SWITCH TTR/L BIP. 230V	2,00			--
0004		MECI00384		BASE 401	2,00			--
0005		LAFN04047		SPACER X SCHEDE M3 15x8x8	3,00			--
0006		VTDD21115		NUT M 3 INOX	13,00			--
0007		VTRS00268		WASHER D.3	13,00			--
0008		MECE00397		GEARCASE/BOARD CT40 C 230V	1,00			--
0009		GUGO38417		GASKET PANN.COM.EXTREME	1,00			--
0010		VTVT00865		SCREW TSP-TC M 3X 6 UNI7688 INX	3,00			--
0011		VTVT37012		SCREW M 4X 10 TCB-TC INX	3,00			--
0012		VTRS00515		WASHER D. 4 INX	3,00			--
0013		VTVT07725		SCREW TE 5X16 UNI5739 INX	2,00			--
0014		LAFN05904		PLATE MICRO LEVA	1,00			--
0015		VTRS00516		WASHER D. 5 INX	5,00			--
0016		VTDD15517		NUT M 5 INX	2,00			--
0017		VTRS21116		WASHER D. 3 INX	9,00			--
0018		VTVT00704		SCREW TE M 4X 16 UNI5739 INOX	1,00			--
0019		MLML34726		SPRING TR E350 N	1,00			--
0020		VTVT01316		SCREW TC+ M3-16	2,00			--
0021		MECI36393		MICROSWITCH TRZ. DRW	1,00			--
0023		MECI00516		SENSOR DI LIVELLO ORIZZONTALE	2,00			--
0024		VTVT01580		SCREW TC M5X10 UNI7687 INOX	2,00			--
0026		VTDD15925		NUT M 4 INX	1,00			--
0027		FVSR00099		CLAMP FERMATUBO	2,00			--
0031		MERL00005		SWITCH RELAY finder 230v-50hz	1,00			--
0032		MERL48877		RELAY 628282300000 230V	1,00			--
0033		MECE31132		FILTER LC LAVAM. FL.	1,00			--
0034		VTDD07727		NUT M 5 INOX	2,00			--
0035		MEVR01110		TERMINAL BOARD 3 POS PA27	1,00			--
0036		VTVT00633		SCREW M 3X 20 TCB-TC BK.U.7687	2,00			--
0037		VTVT00722		SCREW	4,00			--
0038		VTVT00766		SCREW TE M. 5-25	1,00			--
0039		LAFN06549		PLATE CABLAGGIO PRINCIPALE CLT	1,00			--
0042		VTRS15908		WASHER D. 5 INX GRW UNI 1751	2,00			--
0043		VTVT00765		CARRYNG BAG	2,00			--
0050		MEVR01252		CUT PREVENTER CAVO ELETTRICO TIPO 500	1,00			--
0051		VTVT15961		SCREW M 5X 16 TCB TC UNI 7687	4,00			--
0052		MECB00945		CABLE ALIMENTAZ. 3X1.5 L=650	1,00			--



Ref. K	Part N.	Customer Part N.	Description	Qty	Validity:		Price
					From	To	
0054	VTVT24212		SCREW TE M 12X100 UNI 5737 INOX	1,00			--
0055	VTDD00176		NUT M.12 INOX A2 BASSO AUTOB.	1,00			--
0056	MFVR00204		WEIGHT	1,00			--
0057	GUGO00009		MOUSSE	2,00			--
0058	MECB01011		ELECTRI.INSTAL.CT 40 C 230V	1,00			--

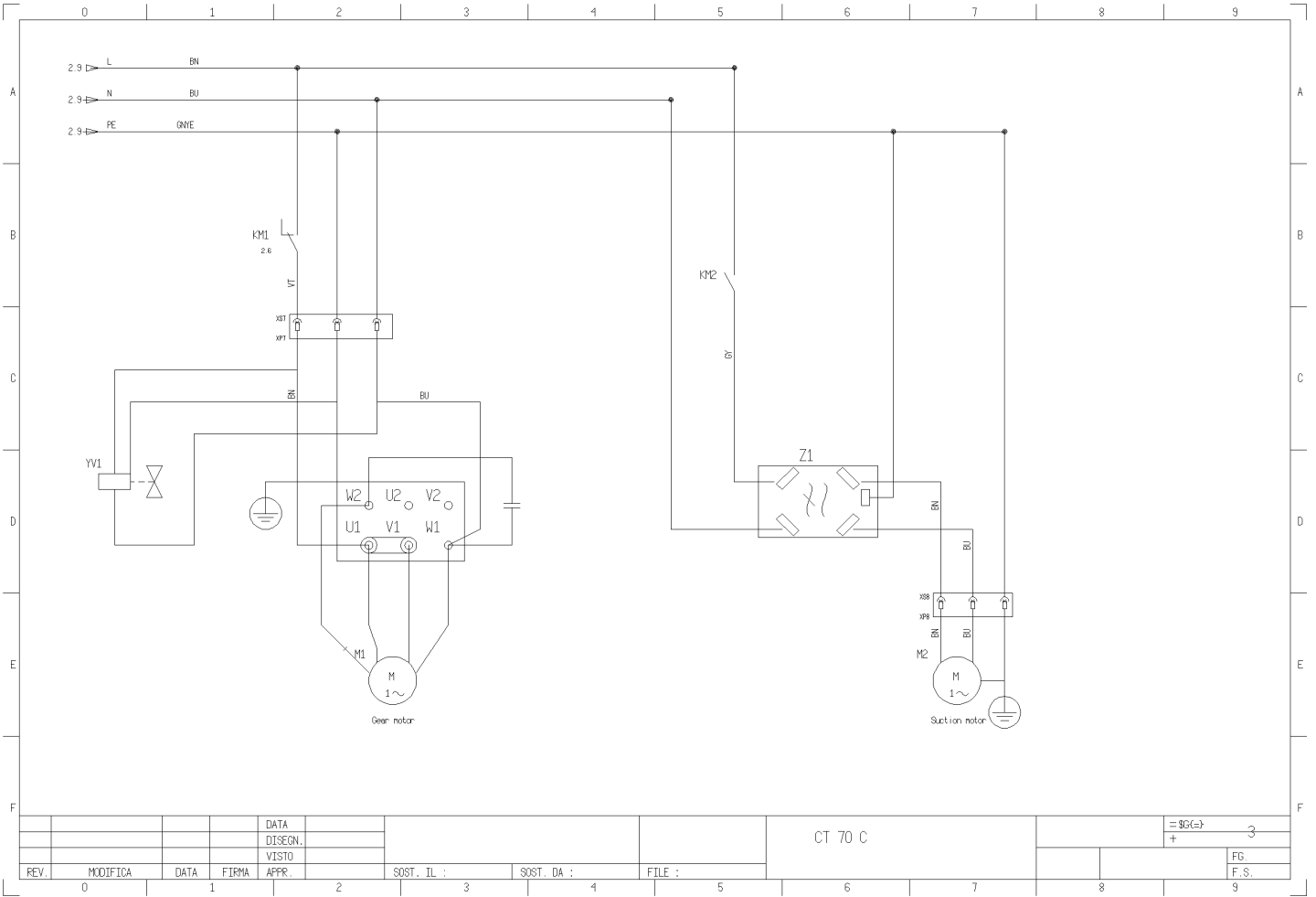


Ref. K	Part N.	Customer Part N.	Description	Qty	Validity:		Price
					From	To	
0001	ETET01447		LABEL	1,00			--
0003	ETET01014		ADHESIVE ATTENZ.ABRAS.ARTI	1,00			--
0004	ETET01484		LABEL LATERALE	2,00			--
0005	MPVR07009		TANK RECUPERO CT75	1,00			--
0006	MPVR07010		TANK SOLUZIONE CT75	1,00			--
0007	ETET01487		LABEL -	1,00			--
0010	MPVR05208		COVER 50-55	1,00			--
0011	VTRS00516		WASHER D. 5 INX	4,00			--
0012	VTVT15961		SCREW M 5X 16 TCB TC UNI 7687	4,00			--
0013	PLDC01602		INSTR.MANUAL CLEANTIME 350	1,00			--
0014	MPVR04721		COVER	1,00			--
0018	ETET00704		ADHESIVE SCOLLEGAMENTO SPINA	1,00			--
0020	SPPV43963		BRUSH NYL 0.8 500	1,00			--
0027	MIVR00048		TUBE UNIBOL	1,00			--



REV.	MODIFICA	DATA	FIRMA	APPR.	SOST. IL :	SOST. DA :	FILE :	CT 70 C	= 86(-) 2	FG. F. S.

Ref. K	Part N.	Customer Part N.	Description	Qty	Validity: From	To	Price
AP1	MECE00397		GEARCASE/BOARD CT40 C 230V	1,00			--
KM1	MERL48877		RELAY 628282300000 230V	1,00			--
KM2	MERL00005		SWITCH RELAY finder 230v-50hz	1,00			--
M1	MOMO00192		MOTOR	1,00			--
M2	MOMO00214		VACUUM CLEANER TRIS.240V/50HZ MOD.115961	1,00			--
S1	MECI36393		MICROSWITCH TRZ. DRW	1,00			--
SH1	MECI00383		SWITCH TTR/L BIP. 230V	1,00			--
SH2	MECI00383		SWITCH TTR/L BIP. 230V	1,00			--
SL1	MECI00516		SENSOR DI LIVELLO ORIZZONTALE	1,00			--
SL2	MECI00516		SENSOR DI LIVELLO ORIZZONTALE	1,00			--
XP1	MECB00945		CABLE ALIMENTAZ. 3X1.5 L=650	1,00			--
YV1	MEEV00019		SOLENOID VALVE	1,00			--
Z1	MECE31132		FILTER LC LAVAM. FL.	1,00			--

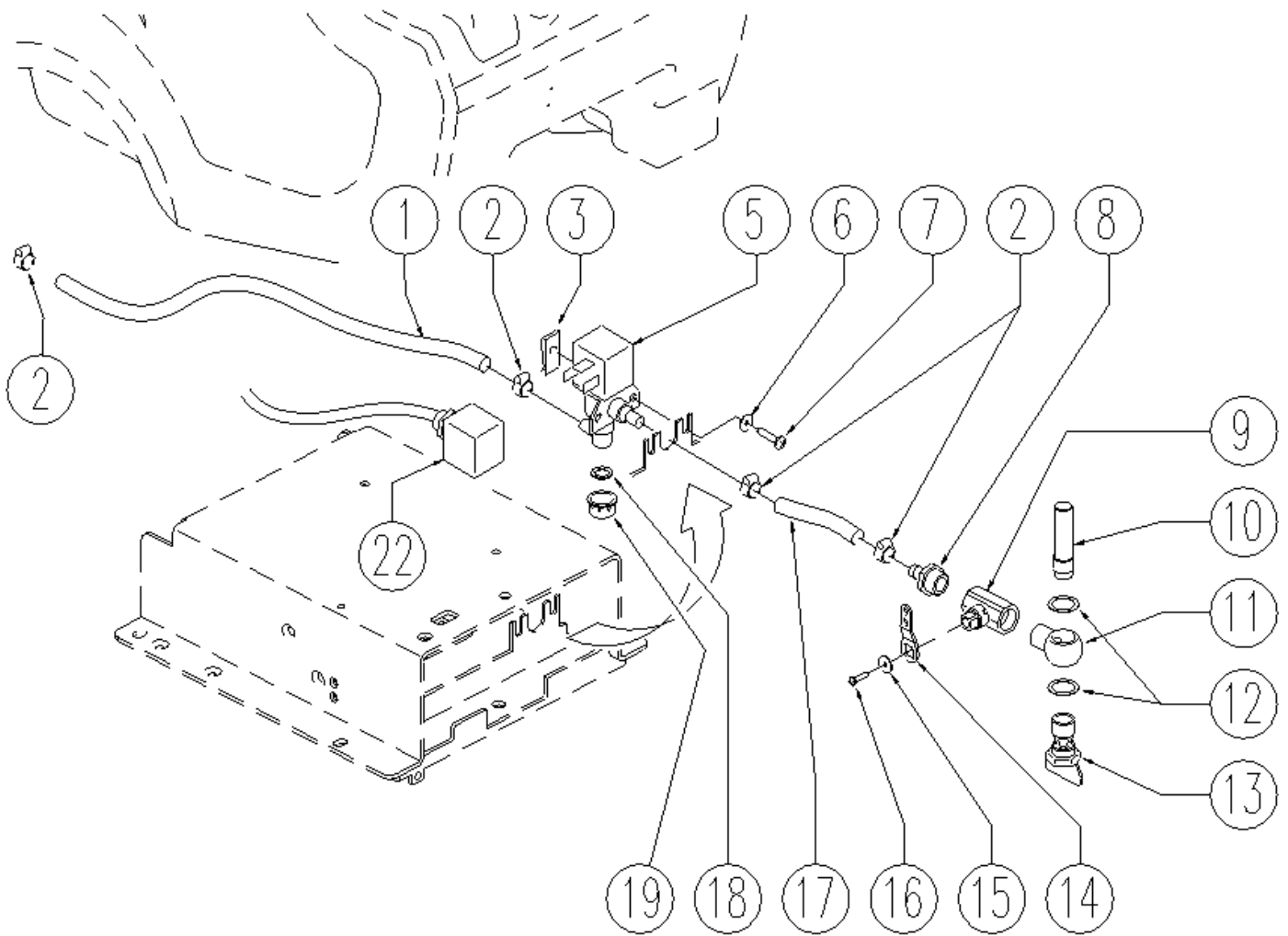


REV.	MODIFICA	DATA	FIRMA	APPR.	SOST. IL :	SOST. DA :	FILE :	CT 70 C	= 80(-) 3	FG.	F.S.
					2						

Ref. K	Part N.	Customer Part N.	Description	Qty	Validity: From	To	Price
AP1	MECE00397		GEARCASE/BOARD CT40 C 230V	1,00			--
KM1	MERL48877		RELAY 628282300000 230V	1,00			--
KM2	MERL00005		SWITCH RELAY finder 230v-50hz	1,00			--
M1	MOMO00192		MOTOR	1,00			--
M2	MOMO00214		VACUUM CLEANER TRIS.240V/50HZ MOD.115961	1,00			--
S1	MECI36393		MICROSWITCH TRZ. DRW	1,00			--
SH1	MECI00383		SWITCH TTR/L BIP. 230V	1,00			--
SH2	MECI00383		SWITCH TTR/L BIP. 230V	1,00			--
SL1	MECI00516		SENSOR DI LIVELLO ORIZZONTALE	1,00			--
SL2	MECI00516		SENSOR DI LIVELLO ORIZZONTALE	1,00			--
XP1	MECB00945		CABLE ALIMENTAZ. 3X1.5 L=650	1,00			--
YV1	MEEV00019		SOLENOID VALVE	1,00			--
Z1	MECE31132		FILTER LC LAVAM. FL.	1,00			--

0	1	2	3	4	5	6	7	8	9																																								
A B C D E F	Sim.\Syn.	Sigla\Item	Funzione\Use	Type	Sim.\Syn.	Sigla\Item	Funzione\Use	Type	Sim.\Syn.	Sigla\Item	Funzione\Use	Type																																					
		AP1 =06 2	Control board			YV1 =06 3	Electrovalve																																										
		KM1 =06 2	Traction contactor																																														
		KM2 =06 2	Suction contactor																																														
		M1 =06 3	Gear motor																																														
		M2 =06 3	Suction motor																																														
		S1 =06 2	Traction enable microswitch																																														
		SH1 =06 2	Switch command																																														
		SH2 =06 2	Switch command																																														
		SL1 =06 2	Level sensor																																														
	SL2 =06 2	Level sensor																																															
	XP1 =06 2	Power supply																																															
<table border="1"> <tr> <td>DATA</td><td></td><td></td><td></td><td></td><td></td><td></td><td></td><td></td><td></td> </tr> <tr> <td>DISEGN.</td><td></td><td></td><td></td><td></td><td></td><td></td><td></td><td></td><td></td> </tr> <tr> <td>VISTO</td><td></td><td></td><td></td><td></td><td></td><td></td><td></td><td></td><td></td> </tr> <tr> <td>REV.</td><td>MODIFICA</td><td>DATA</td><td>FIRMA</td><td>APPR.</td><td>SOST. IL :</td><td>SOST. DA :</td><td>FILE :</td><td></td><td></td> </tr> </table>										DATA										DISEGN.										VISTO										REV.	MODIFICA	DATA	FIRMA	APPR.	SOST. IL :	SOST. DA :	FILE :		
DATA																																																	
DISEGN.																																																	
VISTO																																																	
REV.	MODIFICA	DATA	FIRMA	APPR.	SOST. IL :	SOST. DA :	FILE :																																										
<table border="1"> <tr> <td colspan="8">CT 70 C</td> <td>=GG(-)</td><td>4</td> </tr> <tr> <td colspan="8"></td> <td>+</td><td></td> </tr> <tr> <td colspan="8"></td> <td>FG</td><td></td> </tr> <tr> <td colspan="8"></td> <td>F.S.</td><td></td> </tr> </table>										CT 70 C								=GG(-)	4									+										FG										F.S.	
CT 70 C								=GG(-)	4																																								
								+																																									
								FG																																									
								F.S.																																									

Ref.	K	Part N.	Customer Part N.	Description	Qty	Validity:	From	To	Price
AP1		MECE00397		GEARCASE/BOARD CT40 C 230V	1,00				--
KM1		MERL48877		RELAY 628282300000 230V	1,00				--
KM2		MERL00005		SWITCH RELAY finder 230v-50hz	1,00				--
M1		MOMO00192		MOTOR	1,00				--
M2		MOMO00214		VACUUM CLEANER TRIS.240V/50HZ MOD.115961	1,00				--
S1		MECI36393		MICROSWITCH TRZ. DRW	1,00				--
SH1		MECI00383		SWITCH TTR/L BIP. 230V	1,00				--
SH2		MECI00383		SWITCH TTR/L BIP. 230V	1,00				--
SL1		MECI00516		SENSOR DI LIVELLO ORIZZONTALE	1,00				--
SL2		MECI00516		SENSOR DI LIVELLO ORIZZONTALE	1,00				--
XP1		MECB00945		CABLE ALIMENTAZ. 3X1.5 L=650	1,00				--
YV1		MEEV00019		SOLENOID VALVE	1,00				--
Z1		MECE31132		FILTER LC LAVAM. FL.	1,00				--



Ref. K	Part N.	Customer Part N.	Description	Qty	Validity:		Price
					From	To	
0001	TBFX00308		TUBE L=580MM	1,00			--
0002	FSVR00091		CLAMP 14-24	4,00			--
0003	MLML00002		SPRING PRESTOLA DOPPIA 8P	2,00			--
0004	VTRS00515		WASHER D. 4 INX	2,00			--
0005	MEEV00019		SOLENOID VALVE	1,00			--
0006	VTRS00516		WASHER D. 5 INX	2,00			--
0007	VTVT48694		SCREW TCB TC 5 X12 UNI 9707 TZ	2,00			--
0008	RCVR00536		CONNECTOR PORTAG.	1,00			--
0009	RCGR00065		TAP F/F 1/2"	1,00			--
0010	FTAC00036		FILTER IN RETE	1,00			--
0011	RCDS49622		CONNECTOR OCC 1/2 - 1/2M	1,00			--
0012	VTRS00142		WASHER BONDER 1/2"	2,00	04/2007		--
0012	GUVR00213		WASHER GOMMA	2,00		04/2007	--
0013	RCDS00026		SCREW -	1,00			--
0014	LAFN05902		LEVER RUBINETTO	1,00			--
0015	VTRS00251		WASHER 4-16 INOX A2	1,00			--
0016	VTVT01316		SCREW TC+ M3-16	1,00			--
0017	TBFX00309		TUBE FLEX D.10X3 L=155MM	1,00			--
0018	GUGO00268		GASKET D.21 SP.3 GOMMA	1,00			--
0019	RCVR00353		CAP 1/2"G X ELETTROV. ACL	1,00			--
0022	MECB00917		WIRING PEDALE ACCEL.P160	1,00			--